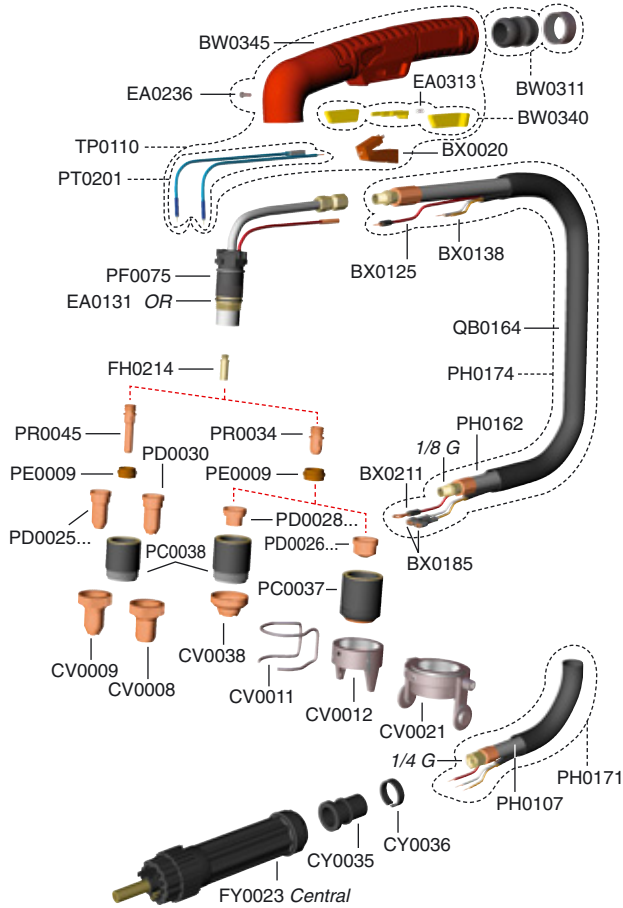




# ERGOCUT CB 100

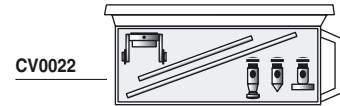


IEC 60974-7



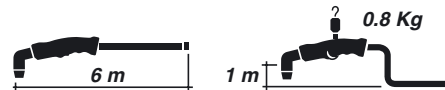
## COMPLETE TORCH

Pt. No.	Description	Pack	Euro	D
PA1350	Plasma ERGOCUT Torch CB 100 6m 1/8G	1	250,00	A
PA1352	Plasma ERGOCUT Torch CB 100 6m central adaptor	1	280,00	A



## TECHNICAL DATA

<b>Voltage class</b>	<b>M</b>
<b>Standard length m</b>	<b>6</b>
<b>Air consumption</b>	<b>180 l/min</b>
<b>Air pressure</b>	<b>5 bar</b>
<b>Duty cycle 60%</b>	<b>100 A</b>
<b>Duty cycle 100%</b>	<b>70 A</b>



Pt. No.	Description	Pack	Euro	D
BW0311	Big joint with Ergotig / Ergocut ring	1	6,60	A
BW0340	Key safety trigger	1	10,00	A
BW0345	Ergocut handle	1	20,00	A
BX0020	Trigger	10	4,50	A
BX0125	Cable for pilot arc per meter		0,80	B
BX0138	Control cable per meter		2,50	B
BX0185	Female faston	10	0,60	B
BX0211	Nipple	50	0,30	B
CV0008	Contact cutting attachment	10	7,50	A
CV0009	Long contact cutting attachment	10	9,50	A
CV0011	Stand off guide (1386)	10	0,95	A
CV0012	TWO pins crown shield	2	7,00	A
CV0021	Carriage	1	22,50	A
CV0022	Circle cutting attachment	1	58,00	A
CV0038	Contact cutting attachment	10	8,00	A
CV0094	Flowmeter CB 150 / HY 100	1	4,50	A
CY0035	Cable Support	10	1,10	B
CY0036	Cable Support	10	0,80	B
EA0131	O-ring	10	0,50	A
EA0236	Screw	10	0,35	A
EA0313	Spring	1	1,05	B
FH0214	Air cable	1	1,90	B
FY0023	Male central adaptor	1	26,50	A
PC0037	Outside nozzle CB 100	2	20,00	A
PC0038	Contact cutting nozzle long life CB 100	2	28,00	A
PD0025-14	Long Tip Ø 1,4 CB 100 / 150	10	3,70	A

Pt. No.	Description	Pack	Euro	D
PD0025-16	Long Tip Ø 1,6 CB 100 / 150	10	3,70	A
PD0025-18	Long Tip Ø 1,8 CB 100 / 150	10	3,70	A
PD0026-11	Tip Ø 1,1 (1371)	10	1,30	A
PD0026-13	Tip Ø 1,3 (1372)	10	1,30	A
PD0026-16	Tip Ø 1,6 (1373)	10	1,30	A
PD0026-18	Tip Ø 1,8 (1374)	10	1,30	A
PD0028-13	Contact cutting tip Ø 1,35	10	1,50	A
PD0028-16	Contact cutting tip Ø 1,6	10	1,50	A
PD0028-18	Contact cutting tip Ø 1,8	10	1,50	A
PD0030-11	Long Tip (1369)	10	4,00	A
PE0009	Air diffuser CB 100 / 150 (1377)	2	8,30	A
PF0075	Torch head ERGOCUT CB 100	1	110,00	A
PH0107	Air-power cable 6m 1/4G	1	50,00	B
PH0162	Air-power cable 6m 1/8G	1	50,00	B
PH0171	Cable assembly 6m central adaptor	1	105,00	B
PH0174	Cable assembly 6m 1/8 G	1	105,00	B
PR0034	Electrode - Hf. (1376)	10	1,60	A
PR0045	Long electrode - Hf. CB 100 / 150 (1517)	10	3,40	A
PT0201	ERGOCUT handle spring pins kit	1	7,50	A
QB0164	Outer protection liner A 140 per meter		4,20	B
TP0110	ERGOCUT S / A / CB kit handle	1	25,00	A

Plasma Range

trafimet