

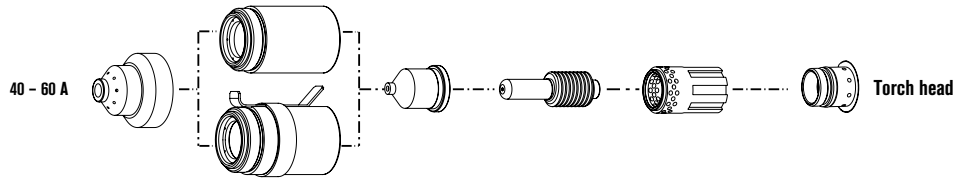
# Hypertherm®

## powermax1000® G3 SERIES™

### T60M machine torch consumables

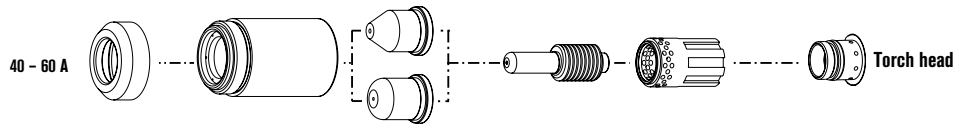


#### Shielded consumables



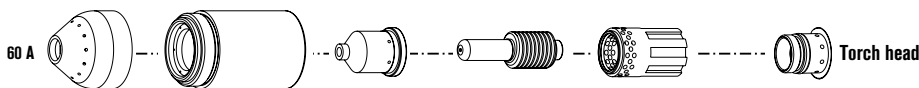
|                  | Shield | Retaining cap | Nozzle | Electrode | Swirl ring |
|------------------|--------|---------------|--------|-----------|------------|
| 40 A             | 120930 | 120928        | 120932 | 120926    | 120925     |
| 60 A             | 120930 | 120928        | 120931 | 120926    | 120925     |
| Ohmic            |        | 220061        |        |           |            |
| Package quantity | 1      | 1             | 5      | 5         | 1          |

#### Unshielded\* consumables



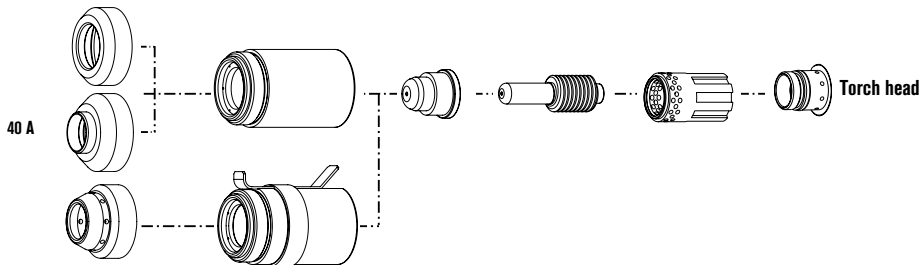
|                  | Deflector | Retaining cap | Nozzle | Electrode | Swirl ring |
|------------------|-----------|---------------|--------|-----------|------------|
| 40 A             | 120979    | 120928        | 220006 | 120926    | 120925     |
| 60 A             | 120979    | 120928        | 220007 | 120926    | 120925     |
| Package quantity | 1         | 1             | 5      | 5         | 1          |

#### Gouging consumables



|                  | Shield | Retaining cap | Nozzle | Electrode | Swirl ring |
|------------------|--------|---------------|--------|-----------|------------|
| 60 A             | 120977 | 120928        | 220059 | 120926    | 120925     |
| Package quantity | 1      | 1             | 5      | 5         | 1          |

#### FineCut consumables



|                  | Shield / Deflector | Retaining cap | Nozzle | Electrode | Swirl ring |
|------------------|--------------------|---------------|--------|-----------|------------|
| 40 A             | 120979             | 120928        | 220329 | 120926    | 120925     |
| 40 A CE          | 220325             | 120928        | 220329 | 120926    | 120925     |
| Ohmic            | 220404             | 220061        |        |           |            |
| Package quantity | 1                  | 1             | 5      | 5         | 1          |



#### TECHNOLOGIES

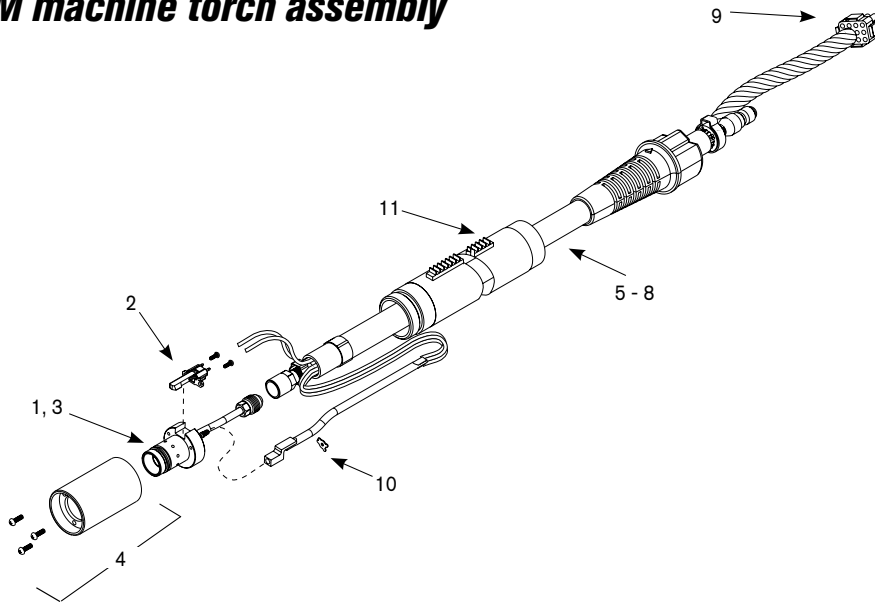
**FineCut®**  
**Coaxial-assist™ jet**  
**Vented shield**  
**Spiral groove**  
**HyLife®**

\* In countries following CE standards, unshielded consumables may only be used in mechanized torch applications. Unshielded consumables: maintain torch-to-work distance of approximately .080" (2 mm).

Hypertherm, Powermax, FineCut, Coaxial-assist and HyLife are trademarks of Hypertherm, Inc. and may be registered in the United States and/or other countries.

# powermax1000

## T60M machine torch assembly



### Assembly

| Part number | Description  |
|-------------|--|
| 083175*     | T60M machine torch assembly with 15' (4.6 m) leads                       |
| 083174*     | T60M machine torch assembly with 25' (7.6 m) leads                       |
| 083176*     | T60M machine torch assembly with 35' (10.7 m) leads                      |
| 083177*     | T60M machine torch assembly with 50' (15.2 m) leads                      |
| 083212*     | T60M machine torch assembly with 75' (22.9 m) leads                      |
| 059309*     | Test torch with 6' (1.8 m) leads   |
| 128645      | Kit: Torch mounting  |
| 1. 128640   | Kit: T60M/T80M torch main body replacement (does not include cap sensor) |
| 2. 128639   | Kit: Cap sensor switch replacement                                       |
| 075571      | Cap-off sensor screws  |
| 3. 128521   | Kit: T60/T80, T60M/T80M torch head repair (does not include head)        |
| 4. 128643   | Kit: T60M/T80M mounting sleeve replacement                               |
| 5. 128634   | Kit: T60M/T80M lead replacement, 15' (4.6 m)                             |
| 6. 128633   | Kit: T60M/T80M lead replacement, 25' (7.6 m)                             |
| 7. 128635   | Kit: T60M/T80M lead replacement, 35' (10.7 m)                            |
| 8. 128641   | Kit: T60M/T80M lead replacement, 50' (15.2 m)                            |
| 9. 128638   | Kit: ETR connector repair (regional repair centers only)                 |
| 10. 027889  | Retaining clip   |
| 11. 128710  | Kit: T60/T80M positioning sleeve replacement                             |
| 128650      | On/Off pendant for machine torch, 25' (7.6 m)                            |
| 128651      | On/Off pendant for machine torch, 50' (15.2 m)                           |
| 128652      | On/Off pendant for machine torch, 75' (22.9 m)                           |
| 123645      | Work lead with clamp, 20' (6.1 m)  |
| 128717      | Work lead with clamp, 50' (15.2 m)                                       |

\*Assembly includes consumables

