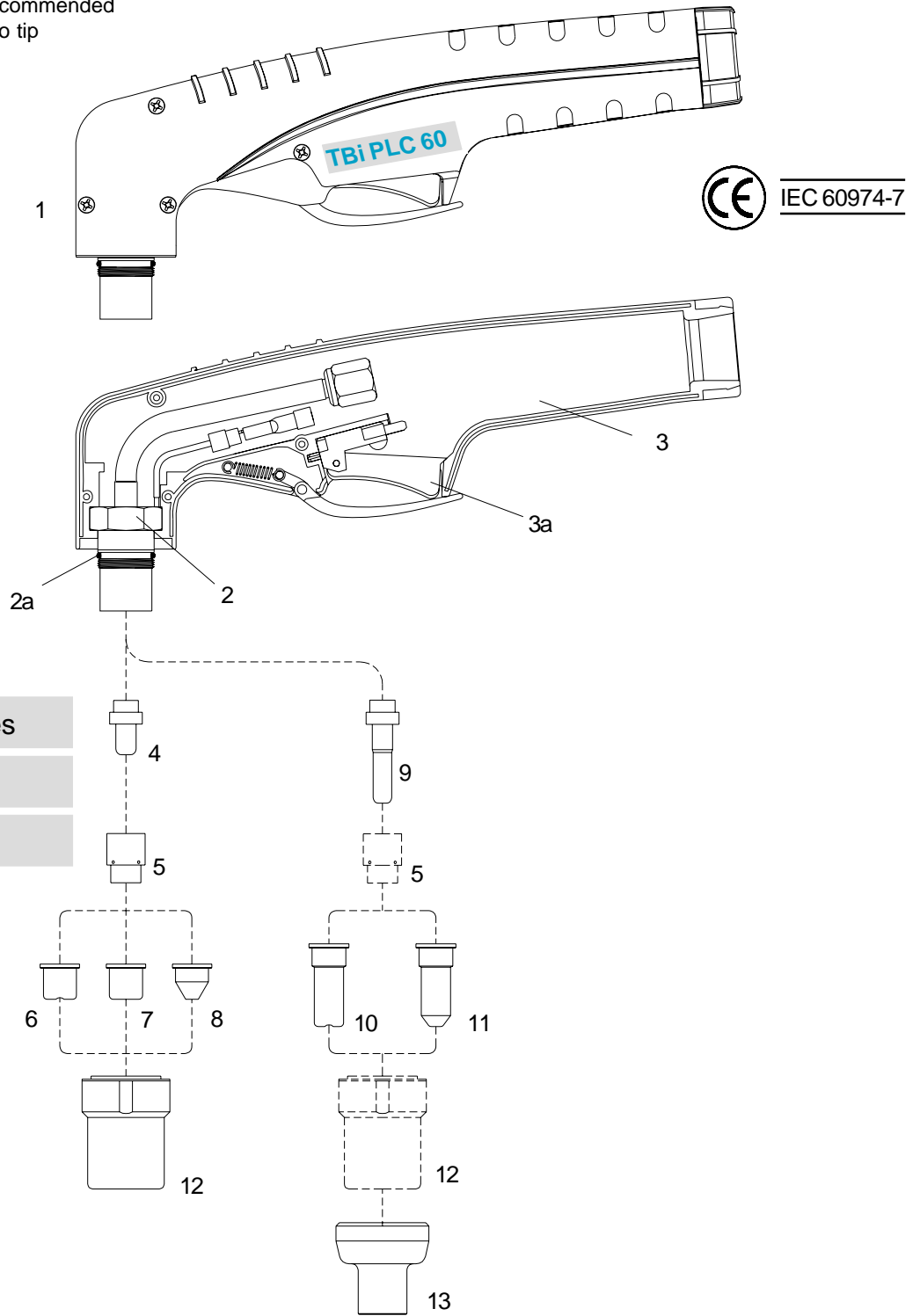


Suitable for: CEBORA® P50

Max Current : 50 Amps
 Duty Cycle : 50 Amps- 60%
 Gas: Air
 Gas Pressure: 4.5-5.0 bar (70 psi)
 Gas Flow: 120 ltr.p.m (250 scfh)
 Post Flow Time: 90 sec. recommended
 Pilot : Electrode to tip
 Ignition: HF



- Higher performances
- Faster Speed
- Cleaner cut

TBi Industries GmbH is in no way affiliated with CEBORA®. The parts advertised for sale are not genuine CEBORA® parts, but are parts made for and by TBi Industries GmbH. Reference to CEBORA® machine, torches and numbers are for your convenience only. We reserve the right to substitute genuine CEBORA® parts in place of TBi Industries GmbH parts.

Replacement torch and parts suitable for: CEBORA® P50

<u>Pos.</u>	<u>Part Number</u>	<u>Ref.-No.</u>	<u>Description</u>	<u>Prod.-Gr.</u>	<u>PU</u>	<u>List price</u>
			Torches cpl. with rubber cover (RC)			
	443P060406		Hand torch TBI PLC 60-6m-G1/8" AG-RC	30101	1	228,00•
	443P060412		Hand torch TBI PLC 60-12m-G1/8" AG-RC	30101	1	304,00•
	443P060106		Hand torch TBI PLC 60-6m-Central connector-RC	30101	1	275,00•
	443P060112		Hand torch TBI PLC 60-12m-Central connector-RC	30101	1	351,00•
	443P060206		Hand torch TBI PLC 60-6m-G1/4" IG-RC	30101	1	208,00•
	443P060212		Hand torch TBI PLC 60-12m-G1/4" IG-RC	30101	1	304,00•
			Torch head, handle and consumables			
1	443P060001		Torch head TBI PLC 60 complete with handle	30112	1	97,00•
2	• 443P060002		Torch head TBI PLC 60	30112	1	79,00•
2a	• 365P120078		O -Ring	30115	20	0,30•
3	• 380P200001		Handgrip with switch	30115	1	16,00•
3a	• 385P021016		Switch	10175	10	3,00•
4	441P101010	1521- Zr	Electrode - Zr.	30110	10	1,80•
	• 441P101011	1521- Hf	Electrode - Hf.	30110	10	2,20•
5	• 441P102001		Swirl ring	30110	2	13,20•
6	• 441P102002	1304	Tip ø 1.0	30110	10	1,40•
	441P102010	1396	Tip long life ø 1.0	30110	10	1,50•
	441P102011		Tip long life ø 1.1	30110	10	1,50•
7	441P884410		Flat tip ø 1.0.	30110	10	2,00•
8	441P102012	1305	Conical tip ø 1.0 (Lo - Amp.)	30110	10	1,80•
9	441P101005	1518- Zr	Extended electrode - Zr.	30110	10	2,40•
	441P101006	1518- Hf	Extended electrode - Hf.	30110	10	2,80•
10	441P102013	1370	Extended tip, ø 1.0 **	30110	10	2,10•
	441P070017	1395	Extended tip, long life ø 1.0 **	30110	10	2,10•
	441P102014		Extended tip, long life ø 1.1 **	30110	10	2,20•
11	441P102015	1306	Extended conical tip ø 1.0 (Lo - Amp.)	30110	10	2,30•
12	• 441P101020	5.710.121	Nozzle retaining cap	30109	10	9,30•
13	441P102020		Shield cup, hand (for extended tips**)	30109	10	9,50•
			Accessories			
N/S	441P101990	166	Circle cutting attachment	30118	1	105,00•
N/S	441P101900	154	Cutting guide	30118	1	43,00•

• = standard equipment